

AMB-280S

Stainless steel material.



Features

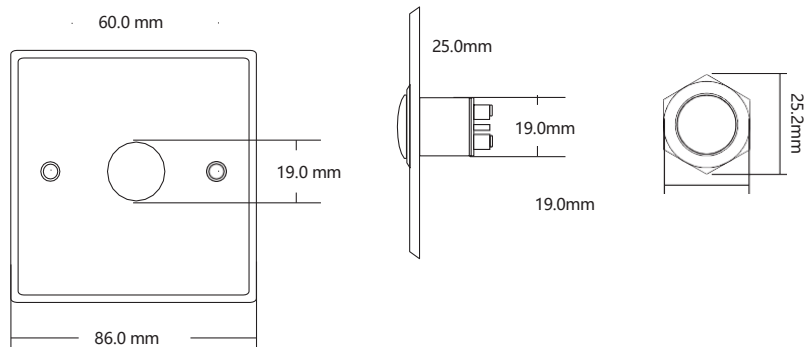
Model	AMB-280S		Side
Size	86*86mm		
View	Front	Back	
Photos			

Product Parameter

Model	AMB-280S
Size(mm)	86L*86W*25H
Weight(KG)	0.085
Power Supply	DC12V
Output Contact	NO/COM
Material	Stainless steel panel

Panel logo	Customizable
Mechanical Life	500,000 Tested aging test qualified
Accessories	Optional Back Box
Operating Temp	-20°C~+55°C(-4-131F)
Operating humidity	0-95% (RH)
Package Quantity	1 PCS/box, 100 PCS/ctn.

Dimensions



AMB-280S Optional Back Box

AMB-280S Optional Back Box				
Model	AMB-280S	AMB-280S-1	AMB-280S-2	AMB-280S-3
Material	Zinc alloy (Mirror)	Zinc alloy (Matt)	ABS	Plastics
Size(mm)	86L*86W*28H	86L*86W*28H	86L*86W*30.5H	86L*86W*32.5H
Photos				