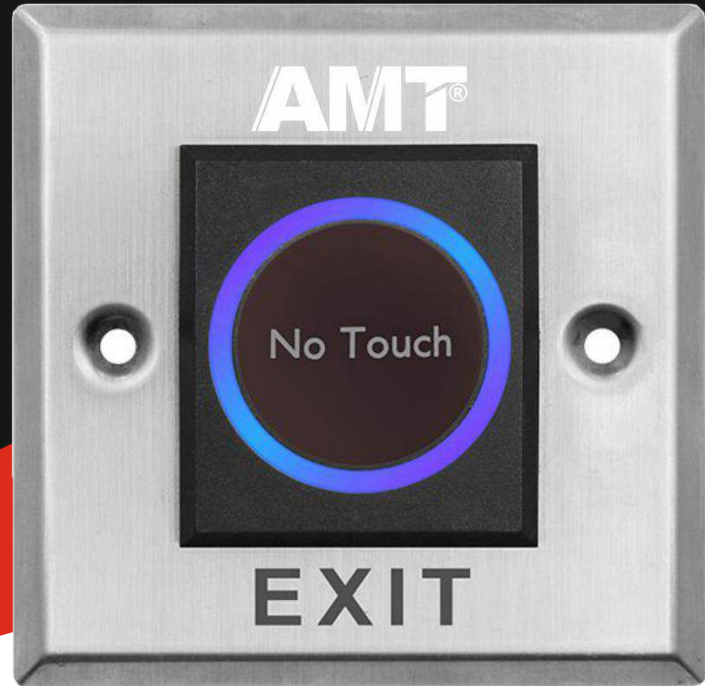


AMB-K2

No Touch Push Button
Stainless Steel Face Plate



Features

- Wide Voltage DC 12~24V
- Sensitive Distance 5~15cm
- NO/NC/COM
- Standby Blue LED, Active Green LED
- Laser texture, not discolor

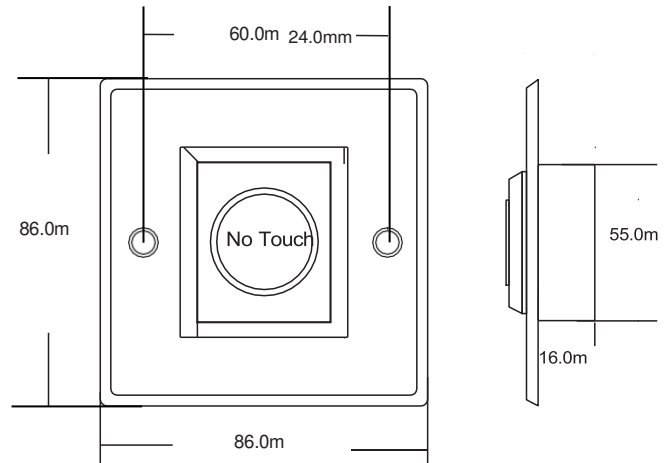


View	Front (Standby)	Front (Response)	Side	Back
Photos				

Product Parameter

Dimensions

Dimensions	86L*86W*16H(mm)
Power Supply	DC12-24V
Output Contact	NO/NC/COM
Sensitive Distance	5~15cm(Adjustable)
LED Indicator	Standby blue, Response green
Material	Stainless steel
Panel logo	Customizable
Mechanical Life	500,000 Tested aging test qualified
Door Type	Hollow door frame installation
Accessories	86*86mm Back box optional
Operating Temp	-20°C ~ +55°C(-4-131F)
Operating humidity	0-95% (RH)
Product Weight	0.11KG
Package Quantity	1 PCS/box, 100 PCS/case

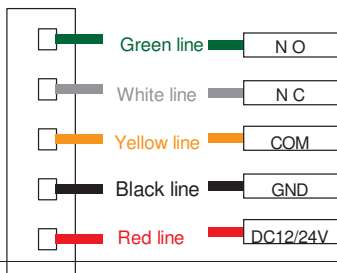


Optional Back Box

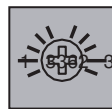
Model	AMB-K2	AMB-K2-1	AMB-K2-2	AMB-K2-3
Material	Zinc alloy (Mirror)	Zinc alloy (Matt)	ABS	Plastics
Size(mm)	86L*86W*28H	86L*86W*28H	86L*86W*30.5H	86L*86W*32.5H
Photos				

Switch operation instructions

Wiring instructions



Adjustable range



D Potentiometers

Turn left near (Counterclockwise)

Turn right far (Clockwise)