




# AMB-PVC

## Plastic Exit Button

Come with green luminous strip ABS material.



### Features

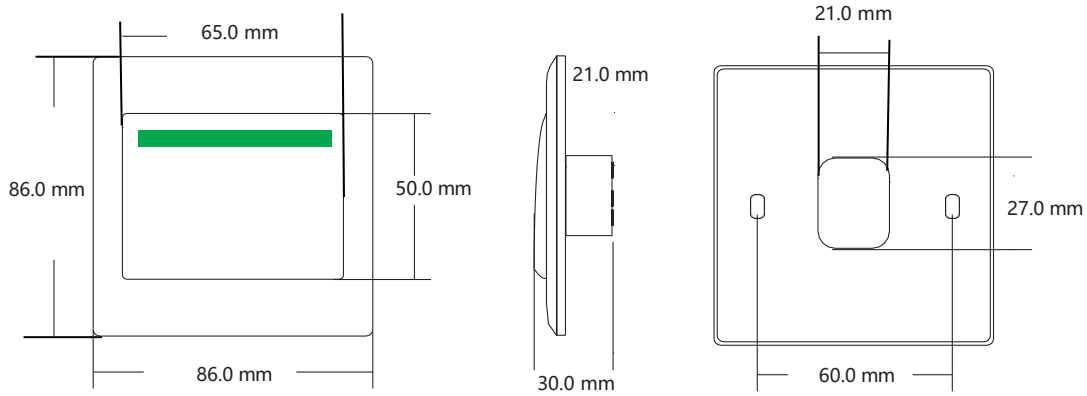
View	Front	Side	PE6 Back
Photos			

### Product Parameter

Model	AMB-PVCB
Size(mm)	86L*86W*21H
Output Contact	NO/COM
Power Supply	DC12V
Material	ABS
Weight(KG)	0.065

Panel logo	Customizable
Mechanical Life	500,000 Tested aging test qualified
Accessories	Optional Back Box
Operating Temp	-20℃~+55℃(-4-131F)
Operating humidity	0-95% (RH)
Package Quantity	10 PCS/box, 100 PCS/ctn.

## Dimensions



### AMB-PVCB Optional Back Box

AMB-PVCB Optional Back Box				
Model	AMB-PVCB	AMB-PVCB-1	AMB-PVCB-2	AMB-PVCB-3
Material	Zinc alloy (Mirror)	Zinc alloy (Matt)	ABS	Plastic
Size(mm)	86L*86W*28H	86L*86W*28H	86L*86W*30.5 H	86L*86W*32.5 H
Photos	