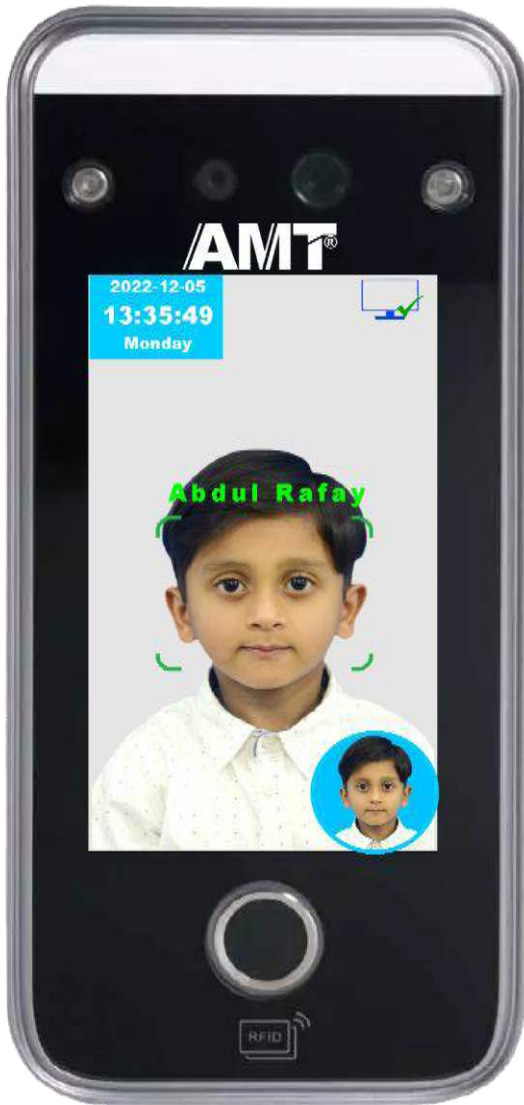
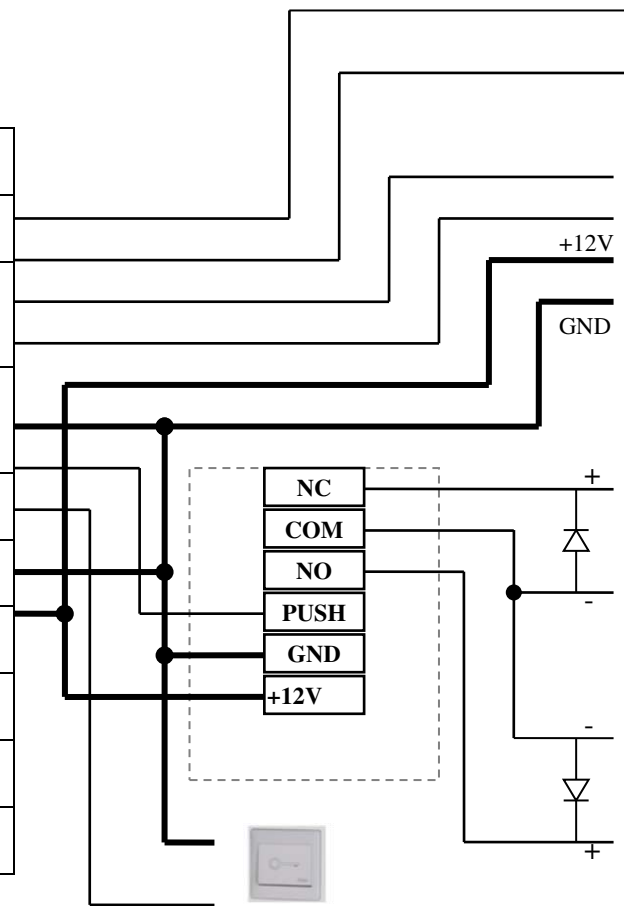


# Connection Wires

Model: AMF 1100 F



10	485B	485 B Port
9	485A	485 A Port
8	WG_IN 0	Wiegand Input D0
7	WG_IN 1	Wiegand Input D1
6	NC	Lock Normal Close
5	COM	Lock COM
4	NO	Lock Normal Open
3	PUSH	PUSH BUTTON
2	GND	GND
1	POW	DC IN 9V~12V



RS485



12V ID READER



Power On to Unlock

# Connection Wires

Model: AMF 1100F

