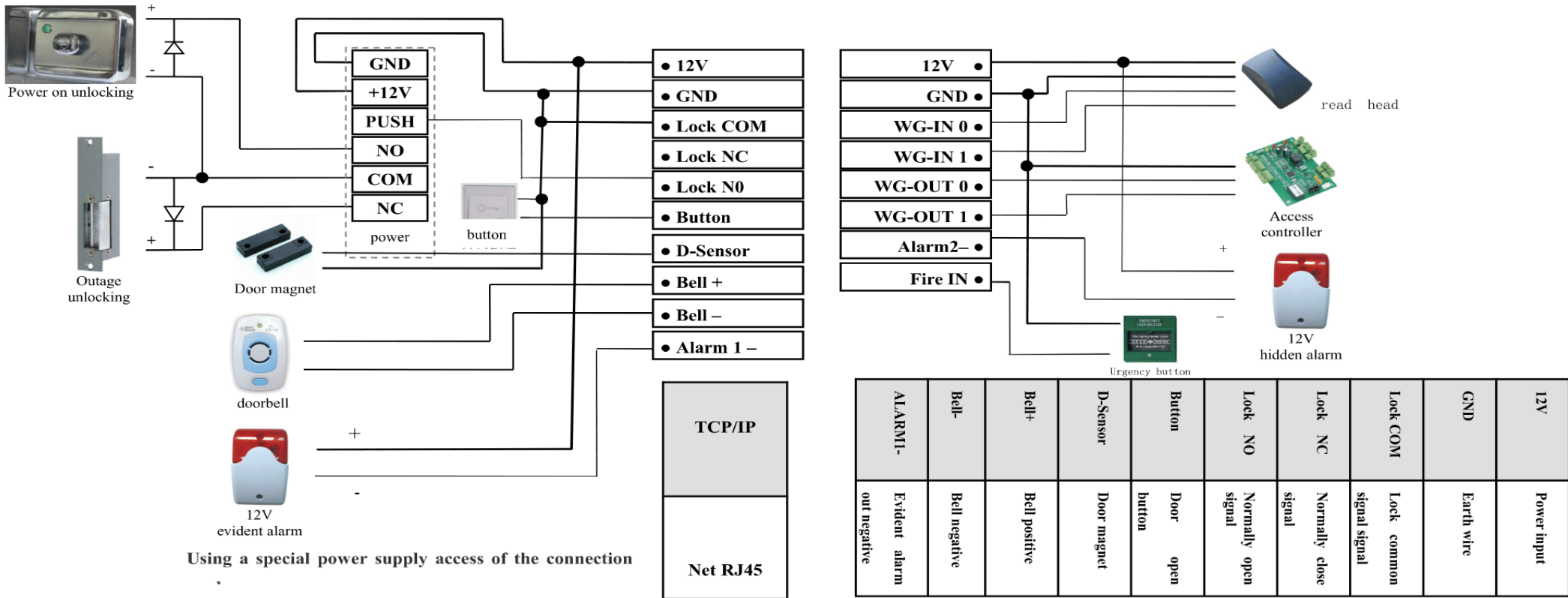


Connection Wires

Model: AMF 1300

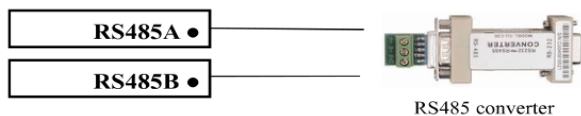
Fingerprint Access Wiring Schematic Diagram A



Using a special power supply access of the connection

TCP/IP
Net RJ45

12V	Power input
GND	Earth wire
Lock COM	Lock common signal signal
Lock NC	Normally close signal
Lock NO	Normally open signal
Button	Door open button
D-Sensor	Door magnet
Bell+	Bell positive
Bell-	Bell negative
ALARM1-	Evident alarm out negative



Connect to PC use RS485

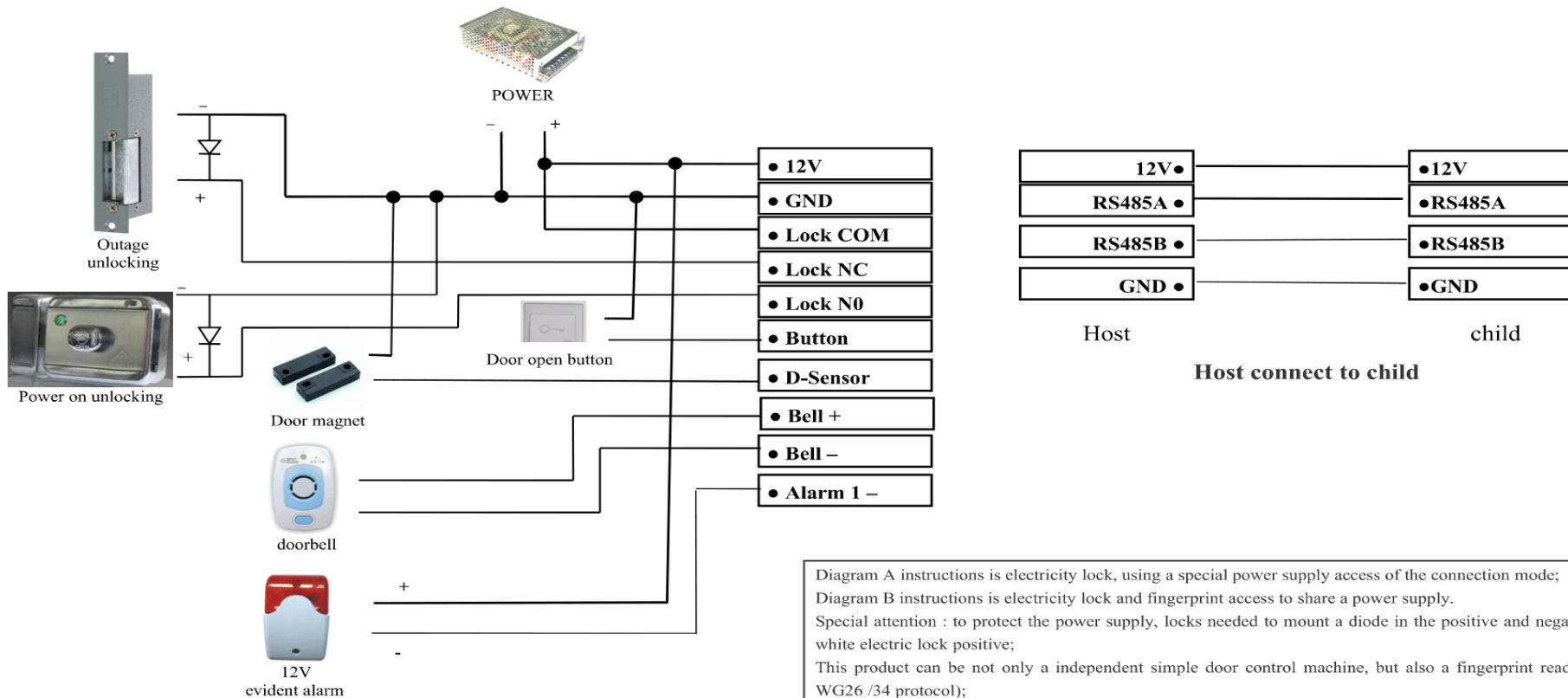
12V	Power input
RS485A	RS485 positive
RS485B	RS485 negative
GND	Earth wire

12V	Power input
GND	Earth wire
WG-IN0	Wiegand in negative
WG-IN1	Wiegand in positive
WG-OUT0	Wiegand out negative
WG-OUT1	Wiegand out positive
ALARM2-	Hidden alarm out negative
Fire IN	Input alarm

Connection Wires

Model: AMF 1300

Fingerprint Access Wiring Schematic Diagram B



Electricity lock and fingerprint access to share a power supply

Diagram A instructions is electricity lock, using a special power supply access of the connection mode;
 Diagram B instructions is electricity lock and fingerprint access to share a power supply.
 Special attention : to protect the power supply, locks needed to mount a diode in the positive and negative ends, the diode marked on one end white electric lock positive;
 This product can be not only a independent simple door control machine, but also a fingerprint reader to access to door controller(through WG26 /34 protocol);
 This product support three communication mode: U-disk, RS485, TCP/IP.
 If there are some disaccord between this specification and the image pasted on door control machine, please refer to the newest wiring schematic diagram;
 The door control relay in the product is DC24V3A, and external alarm must is DC 12V, if the alarm is loaded directly by door control machine, please notice the label.