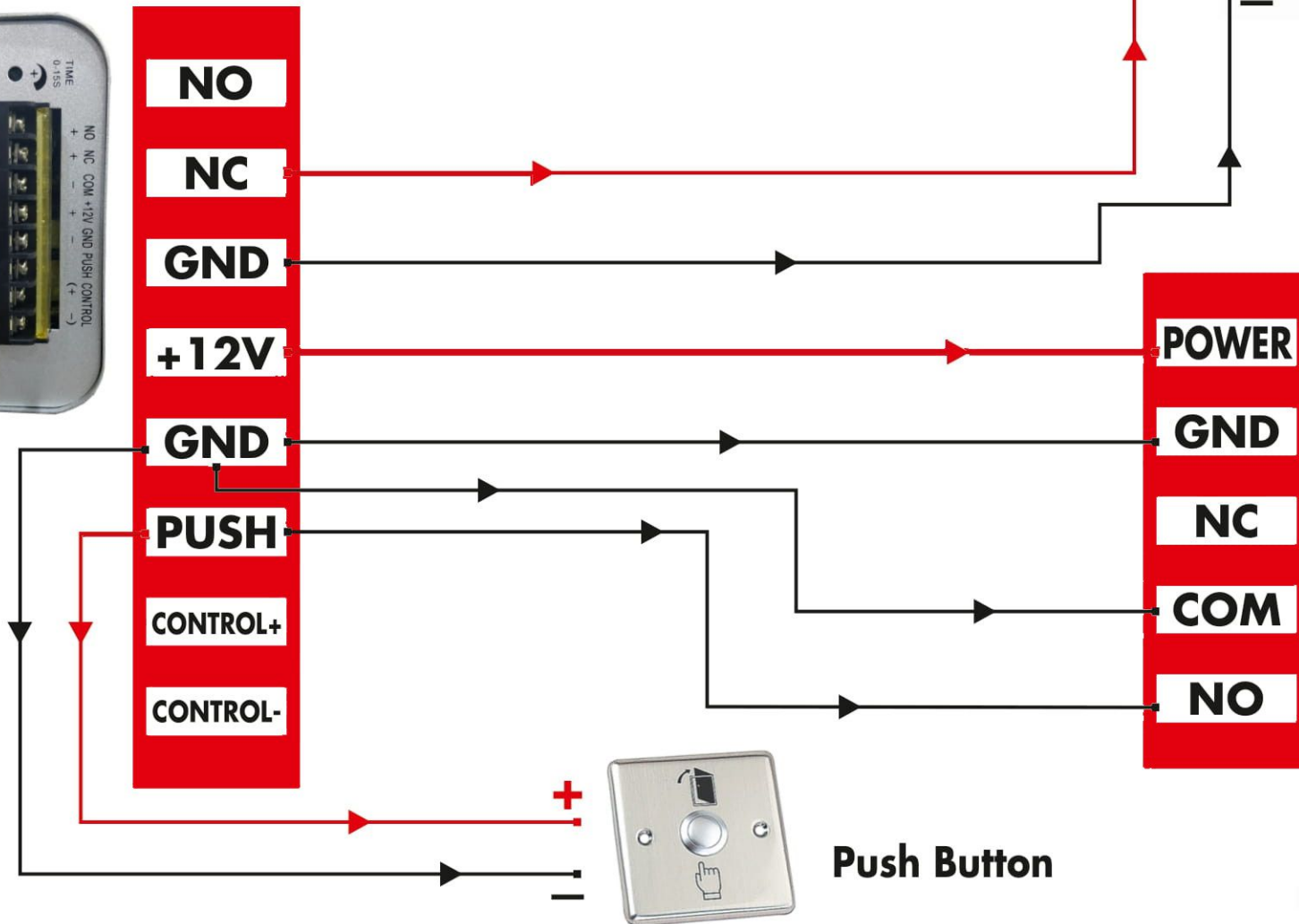
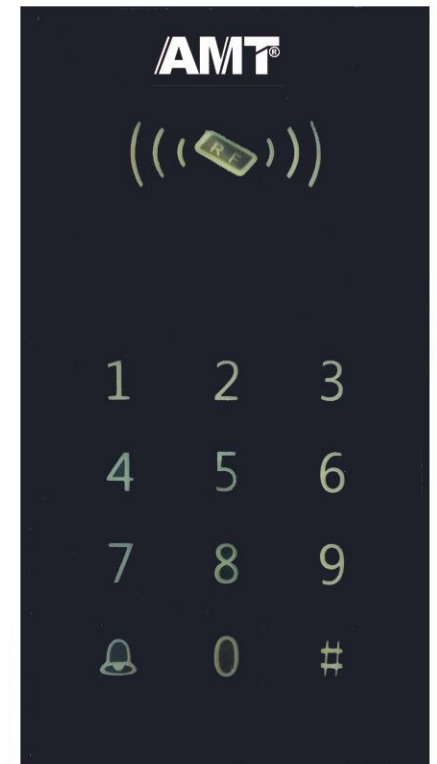


# Connection Wires

Model No. AMF 15

Power Supply

EM Lock



Push Button