



Series Model

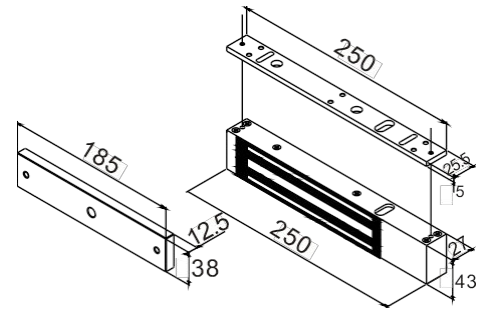
- AML -280 S :With lock status indicator and door position detection output (NO/NC)
- AML -280 C:Without indicator and door position detection output
- AML -280 T :With delay and door open push button functions (stand-alone and do not need to connect with access control unit)

Special features

- Holding force:600lbs(250Kg).
- Suitable for Exit door ,Out-swing door and In-swing door.
- Power Supply: DC12V or DC24V (adjustable)

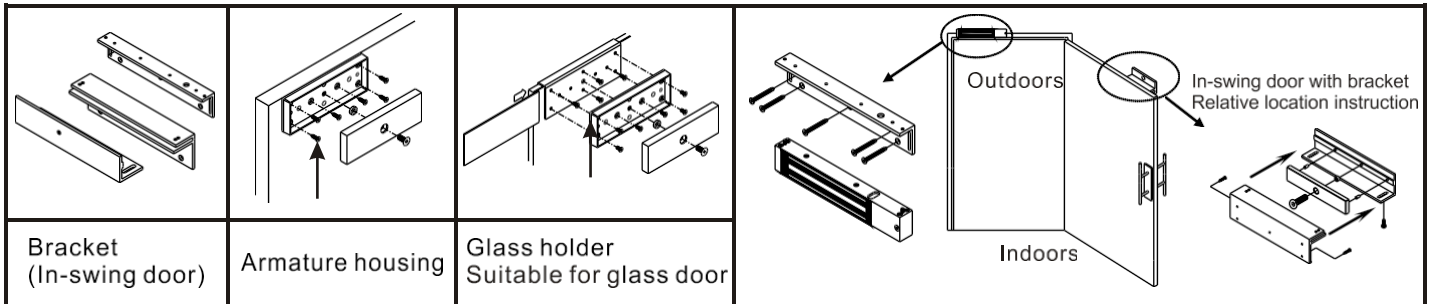
- Fail-safe (power to lock) electric lock suitable for fire exit.
- Special surface enhancement process which is anti-rust for its durability.
- For use with any types of the access control unit with built-in surge absorber to prevent any interference to the reader.
- Special aluminum hardening, all materials used are fireproof.

Specification	Dimensions		
	AML- 280 C	AML- 280 S	AML- 280 T
Delay Time	X	X	0,3,5,9 Sec.
Open door contact	X	X	Photo coupler contact
Lock status sensor	X	N.C. & N.O. Output (Reed switch) 0.25mA	
Indicator	X	Double-colored LED light	
Power Supply	DC 12V or DC24V ± 15%		
Operation current	450mA@12VDC mA ± 5% / 235mA@24VDC mA ± 5%		
Application	Exit door ,Out-swing door and In-swing door		
Holding forces	600lbs(250Kg)		
Demagnetizer design	Instant demagnetizer when power is off.		
Operation temperature	40°C ± 5°C (Room temperature 30°C)		
Weight	2150g (included wrapping)		



Unit: mm

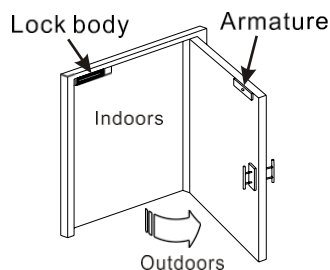
Related products



Structure diagram

※Note: The lock unit has to be installed indoors.

【Out-swing door】



【In-swing door】 *Bracket is needed

